



US00D424168S

United States Patent [19] Higgins

[11] Patent Number: Des. 424,168

[45] Date of Patent: ** May 2, 2000

[54] REPLACEMENT VALVE SEAT OF A FLUSH VALVE

D. 309,938 8/1990 Schoepe et al. D23/236
D. 321,749 11/1991 Wesolowsky D23/236
D. 347,881 6/1994 Amore D23/236

[75] Inventor: Gary R. Higgins, Laguna Beach, Calif.

[73] Assignee: WDI International, Inc., Bedford Heights, Ohio

Primary Examiner—Robin V. Taylor
Attorney, Agent, or Firm—Howard M. Cohn

[**] Term: 14 Years

[57] CLAIM

[21] Appl. No.: 29/106,723

I claim the ornamental design of a replacement valve seat of a flush valve, as shown and described.

[22] Filed: Jun. 18, 1999

DESCRIPTION

Related U.S. Application Data

[60] Provisional application No. 60/090,061, Jun. 19, 1998.

[51] LOC (7) Cl. 23-01

[52] U.S. Cl. D23/236

[58] Field of Search D23/233-237,
D23/244; 251/360, 363; 137/515.5, 515;
4/249, 250, DIG. 3

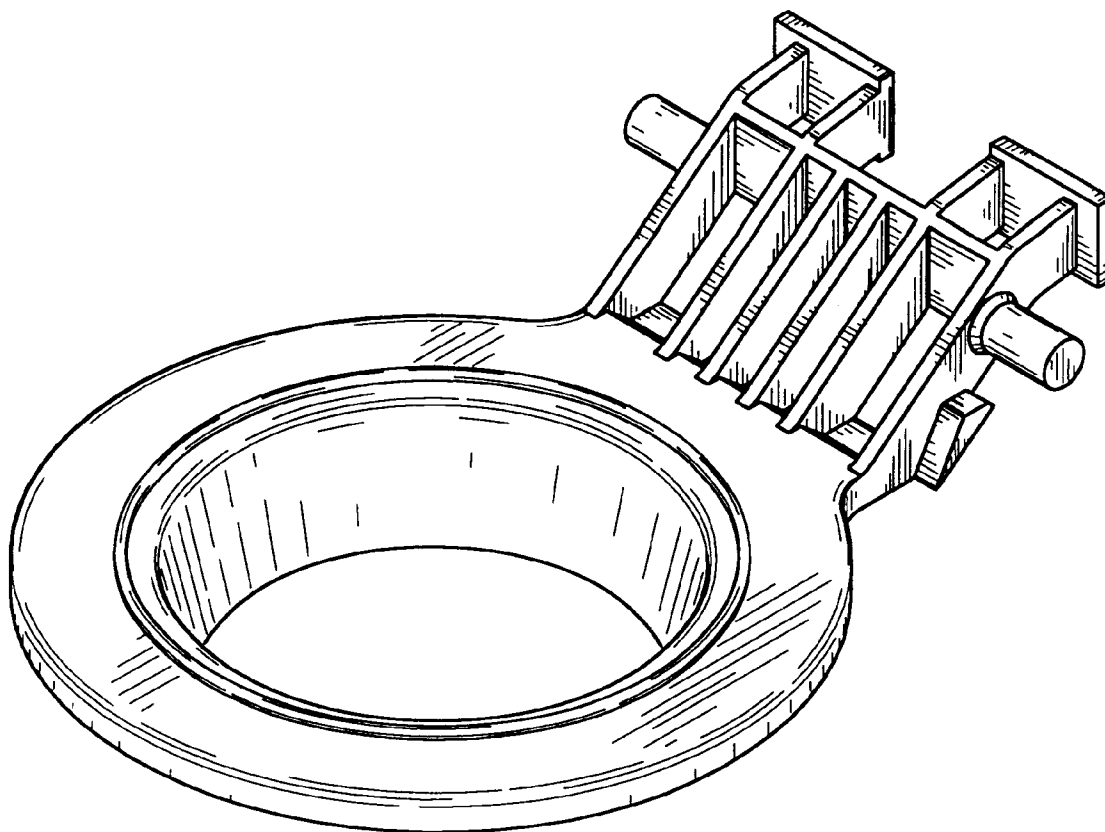
FIG. 1 is a perspective view of a replacement valve seat of the flush valve in accordance with the design; FIG. 2 is a top view of the replacement valve seat of the flush valve of FIG. 1; FIG. 3 is a bottom view of the replacement valve seat of the flush valve of FIG. 1; FIG. 4 is a side view of the replacement valve seat of the flush valve of FIG. 1; FIG. 5 is a left side view of the replacement valve seat of the flush valve of FIG. 2; and, FIG. 6 is a right side view of the replacement valve seat of the flush valve of FIG. 2.

[56] References Cited

U.S. PATENT DOCUMENTS

D. 203,322 12/1965 Harold D23/236
D. 238,424 1/1976 Scheepe D23/236

1 Claim, 2 Drawing Sheets



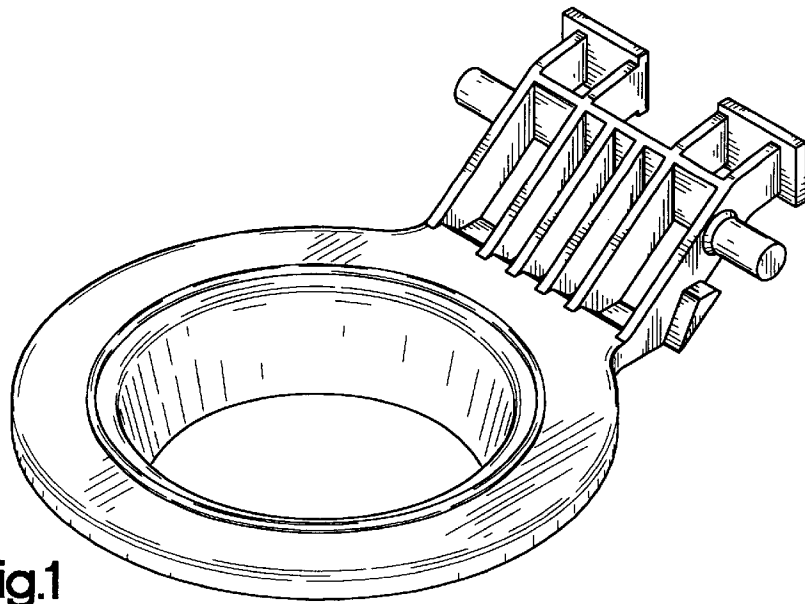


Fig.1

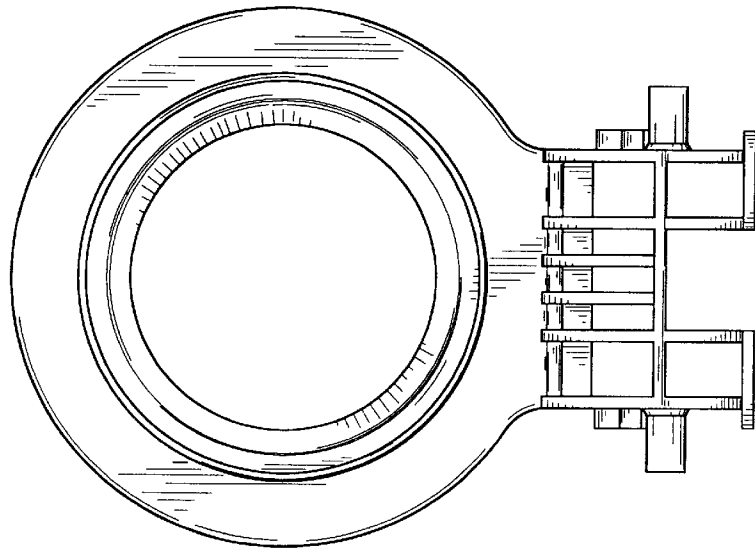


Fig.2

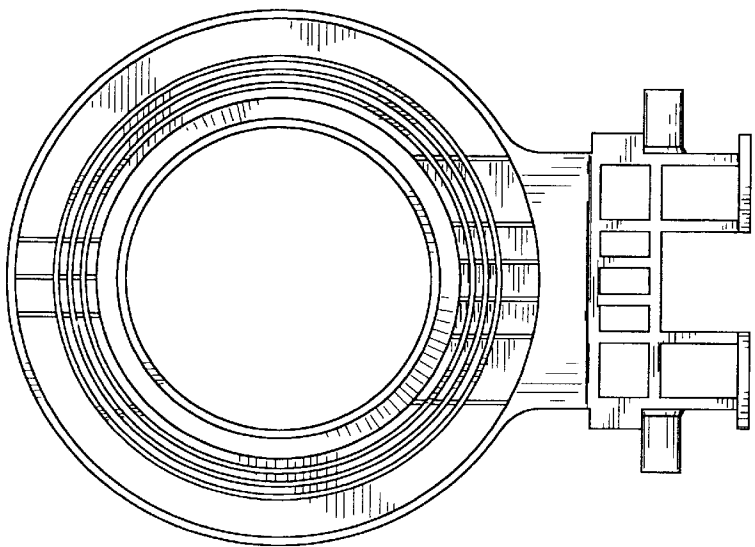


Fig.3

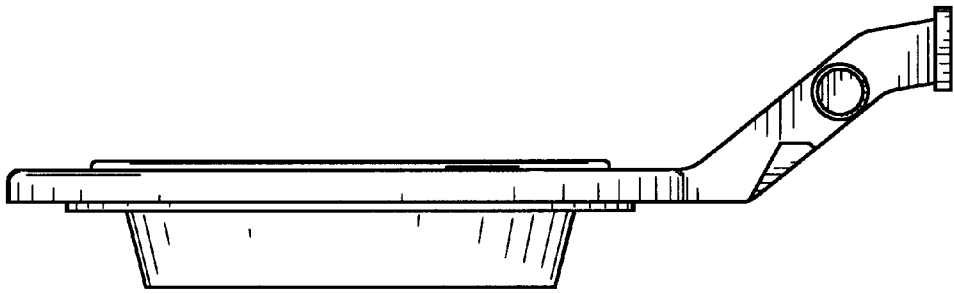


Fig.4

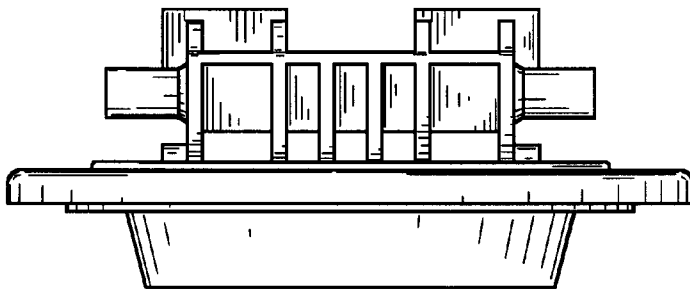


Fig.5



Fig.6